

18042 DRIFT LED F 0-18W

Alimentatore LED

$[V]$ 220-240 AC	$[Hz]$ 50/60	$[W]$ max 18	PRI $[V]$ 220-240	SEC $[V]$ 12V DC	IP 20	
CE		EAC				

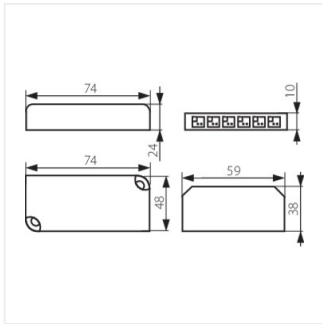


DRIFT LED F 0-18W **18042** max 18 bianco



18042 DRIFT LED F 0-18W

Alimentatore LED



DRIFT LED F 0-18W